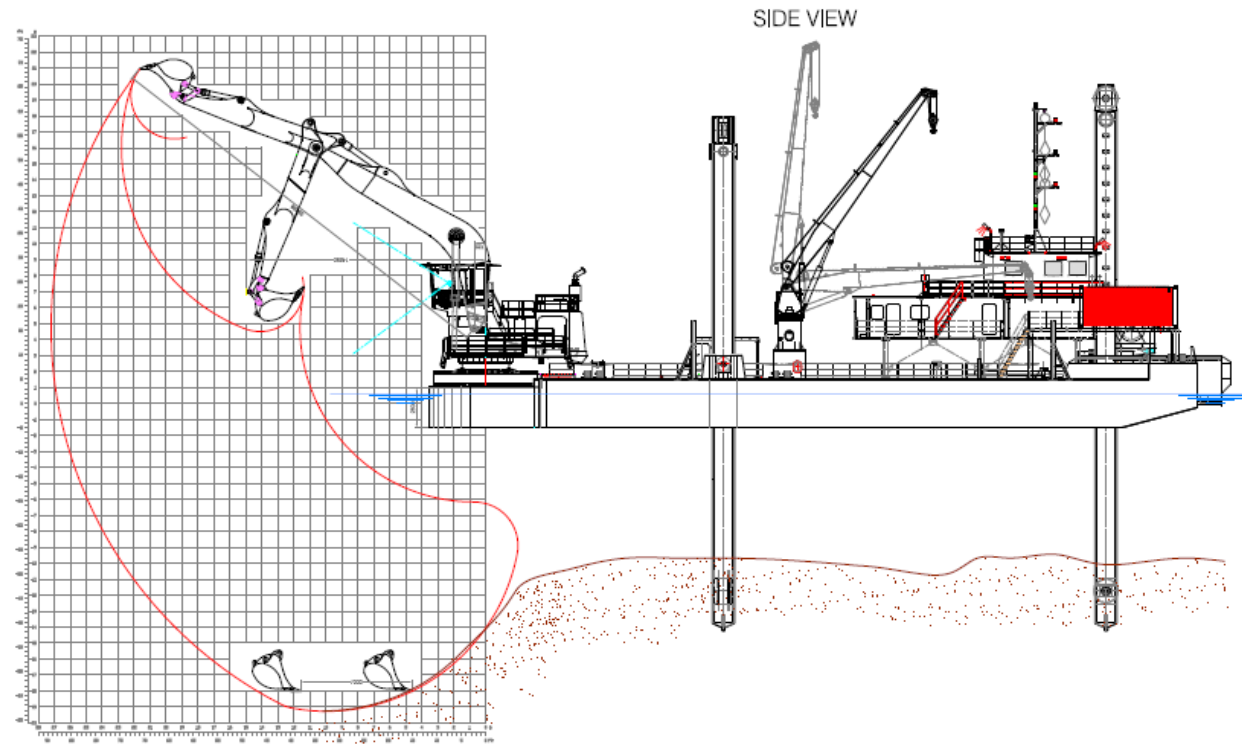
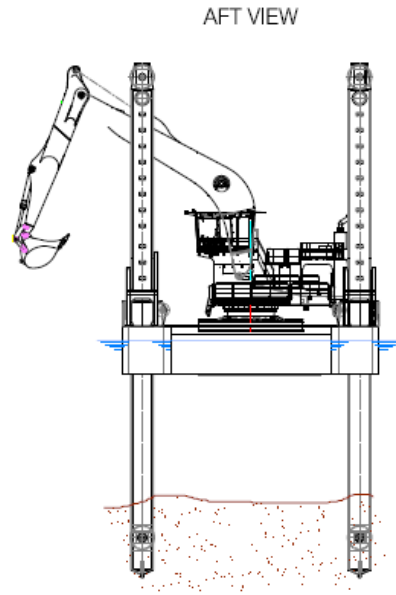




Specifications

Built	1995 (conversion 2010)	Classification Society	Bureau Veritas
DIMENSIONS		CAPACITIES	
Length Overall	48.00m	Buckets	8m ³ , 5m ³
Breadth	16.00m	Fuel	71m ³
Depth	3.00m	Potable Water	2 x 42m ³
Draft	2.00m	MACHINERY	
GRT	630	Total Installed Power	Excavator: 1500hp (1120kW) – Cummins QSK45
Maximum Dredging Depth	19.5m	Deck Cranes	1 x 20t & 1 x 2.8t
		Spud Length	2 x 29m & 1 x 32m



Dredger characteristics :

Dimensions	50,0 x 16,0 x 3,0 m,
Classification	Bureau VERITAS 3/3 Special Service Dipperdredger / Coastal area and Deep sea transit for long unmanned voyages
Spuds	3 no. square spuds 1400mm, length 29m and 32m
Spud winches	65 ton, hoisting capacity 260 ton per spud
Max. working depth	23m (with gooseneck 19m and slick 11m, bucket 3.5m ³)
Miscellaneous	Spudcarrier stroke 5.5m by hydraulic cylinder Fuelbunker capacity 60 ton Deck crane DSF100, 20 t at 9 m, 9 t at 15m Auxiliary deck crane Hella

Excavator characteristics :

Make & type	LIEBHERR P9350
Operating weight	265 ton (incl. elastic foundation)
Engine	Cummins QSK45, 1120 kW (1500 hp), 12 cyl. In V
Gooseneck	15 m (standard)
Slick	9.45 m (standard)
Bucket	8 m ³ (standard)
Working depth	19 m (with standard equipment)
Digging force	approx. 526 kN
Breakout force	approx. 520 kN
Options	Hydr.hammer (Atlas Copco HB 7000 & HB 10000) Hydr. grab

