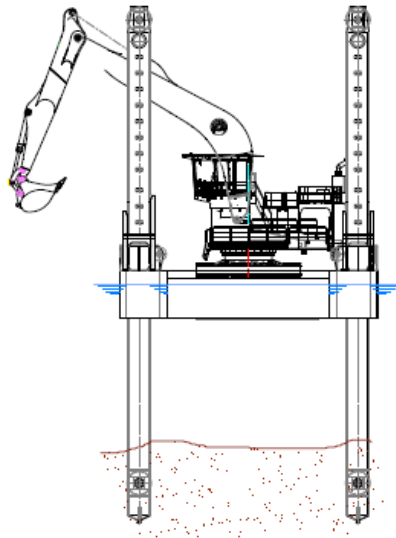




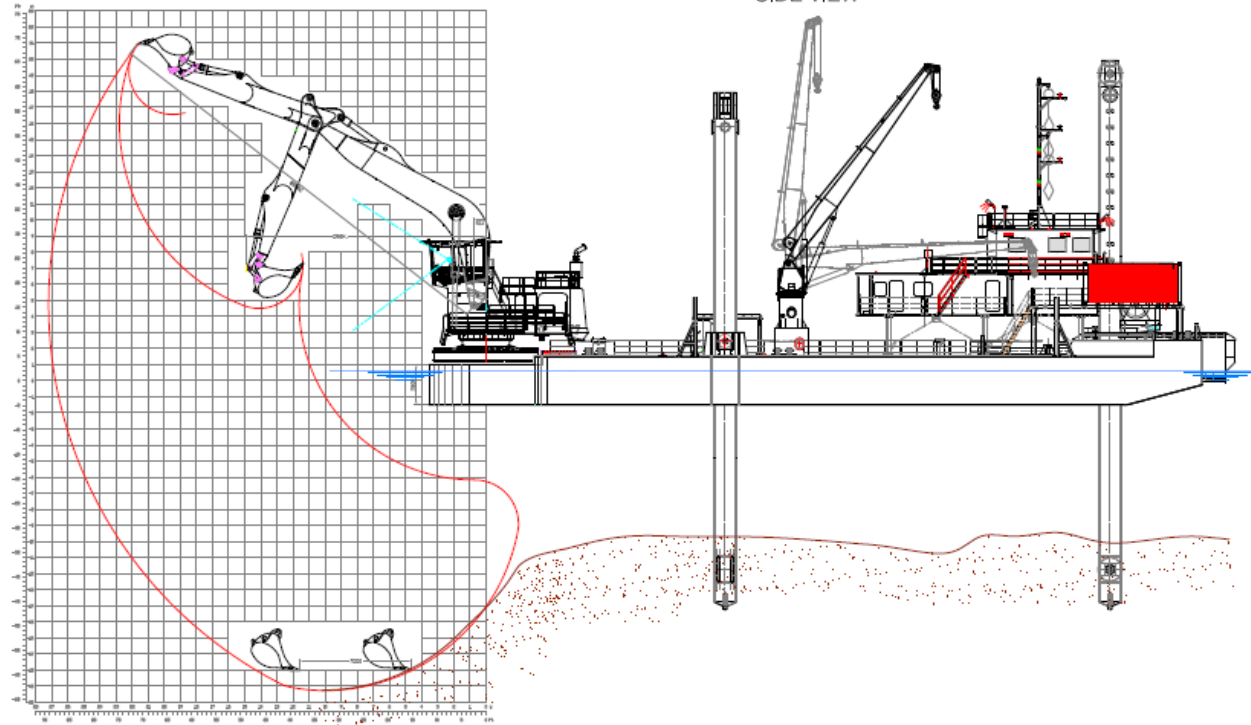
Specifications

Built	1995 (conversion 2010)	DIMENSIONS	
Classification Society	Bureau Veritas	Length Overall	50.00m
CAPACITIES		Hull Length	48.00m
Maximum Dredging Depth	18m or 19.5m	Breadth	16.00m
Bucket Capacity	8m ³ , 5m ³	Depth	3.00m
Fuel Tank	71m ³	Draft	2.00m
Water Tank	2 x 42m ³	Beam	16.00m
Digging Force & Breakout Force	526kN / 520kN		
Accommodation	2 pax		
MACHINERY			
Total Installed Power	Excavator: 1500hp (1120kW) – Cummins QSK45		
Deck Cranes	1 x 20t & 1 x 2.8t		
Spud Length	2 x 29m & 1 x 32m		

AFT VIEW



SIDE VIEW



Dredger characteristics :

Dimensions	50,0 x 16,0 x 3,0 m.
Classification	Bureau VERITAS 3/3 Special Service Dipperdredger / Coastal area and Deep sea transit for long unmanned voyages
Spuds	3 no. square spuds 1400mm, length 29m and 32m
Spud winches	65 ton, holsting capacity 260 ton per spud
Max. working depth	23m (with gooseneck 19m and stick 11m, bucket 3,5m³)
Miscellaneous	Spudcarrier stroke 5,5m by hydraulic cylinder Fuelbunker capacity 60 ton Deck crane DSF100, 20 t at 9 m, 9 t at 15m Auxiliary deck crane Hella

Excavator characteristics :

Make & type	LIEBHERR P9350
Operating weight	265 ton (incl. elastic foundation)
Engine	Cummins QSK45 ,1120 kW (1500 hp), 12 cyl. In V
Gooseneck	15 m (standard)
Stick	9,45 m (standard)
Bucket	8 m³ (standard)
Working depth	19 m (with standard equipment)
Digging force	approx. 526 kN
Breakout force	approx. 520 kN
Options	Hydr.hammer (Atlas Copco HB 7000 & HB 10000) Hydr. grab

MAIN DECK

